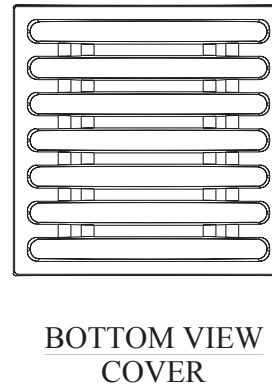
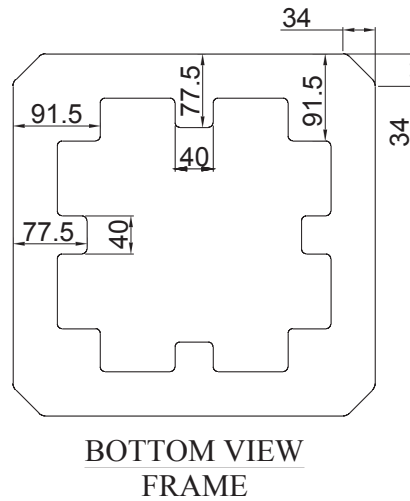
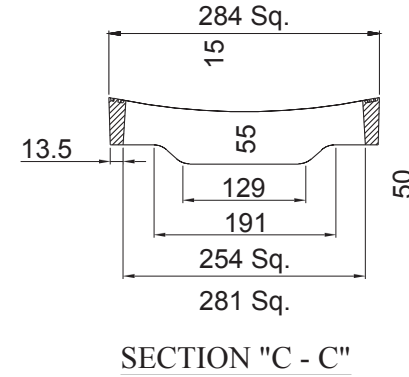
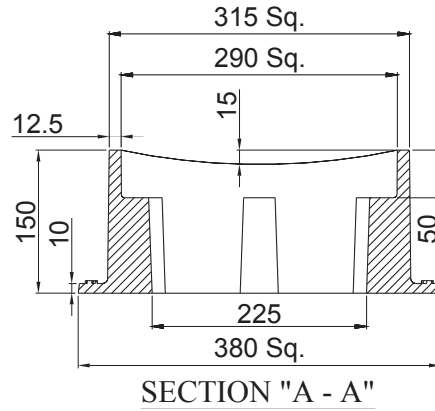
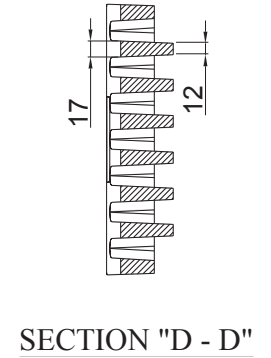
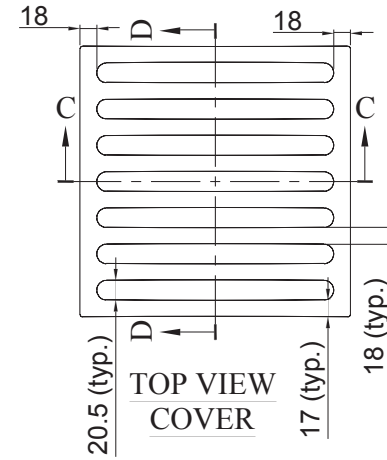
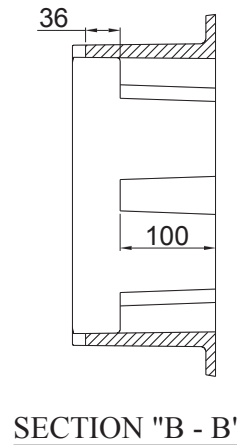
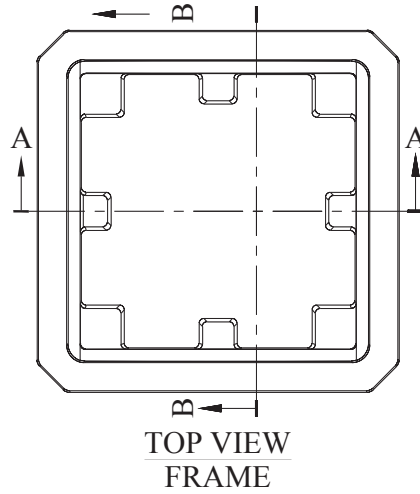
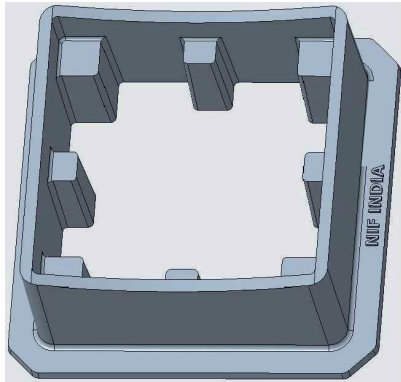
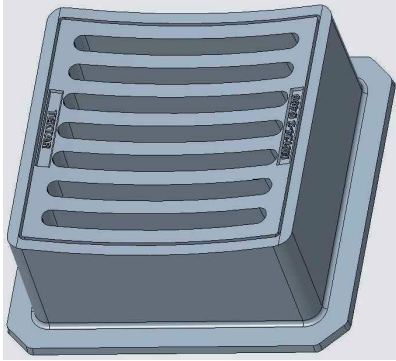


D400 -kansisto, malli 315

Sopii yhteen markkinoilla olevien 315 mm leveiden betoni- ja kivilaattojen kanssa.

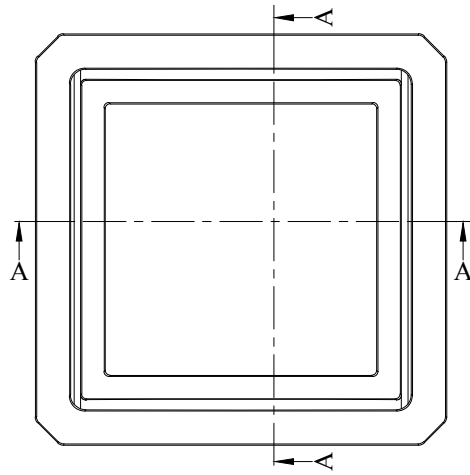
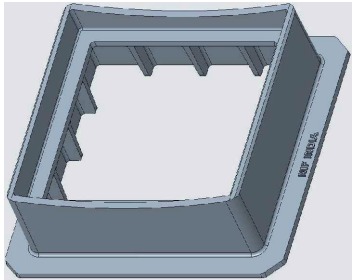
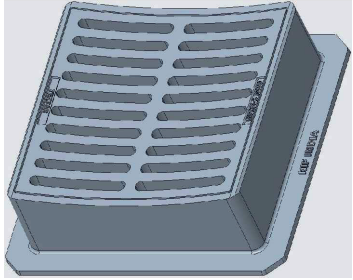


Drawn By	Ckd. By	Drg. No. -	Weight:-(tol±3%)
Name		Kourulaattakansisto	SET - 50 Kg
Date			GRATE - 20 Kg
Sign		Drawing Description -	FRAME - 30 Kg
Coating:-		315 x 315 mm, h = 150 mm	Material -
		BLACK BITUMEN	C.I.
Loading-	D400		(GG25)
Specification-	EN124-2		
Scale.- NTS	Sheet.- 1 OF 1		
All Dimensions are in MM			

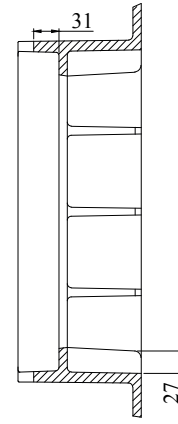


D400 -kansisto, malli 415

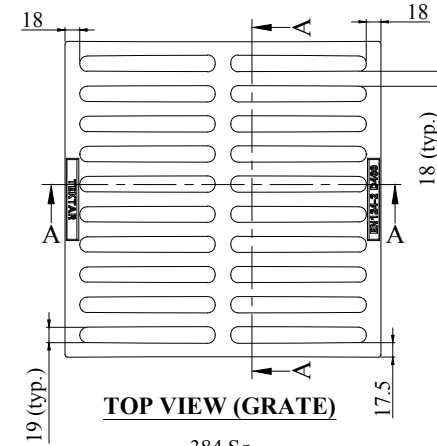
Sopii yhteen markkinoilla olevien 415 mm leveiden betoni- ja kivilaattojen kanssa.



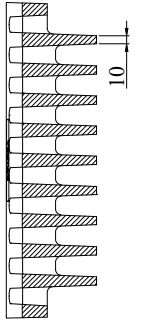
TOP VIEW (FRAME)



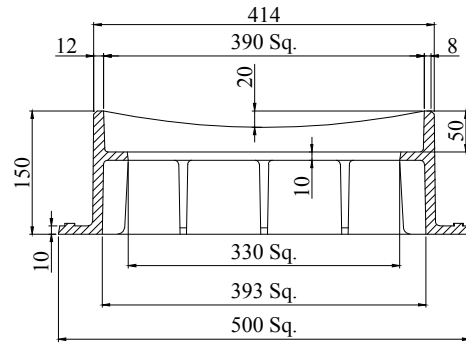
SECTION "B - B"



TOP VIEW (GRATE)

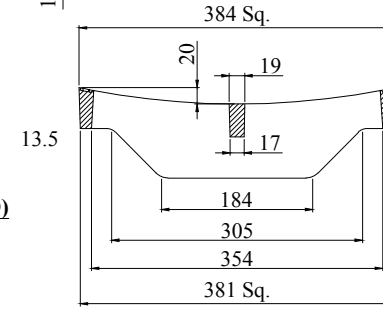


SECTION "D - D"

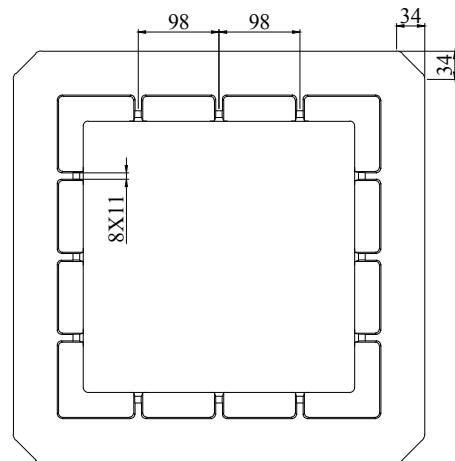


SECTION "A - A"

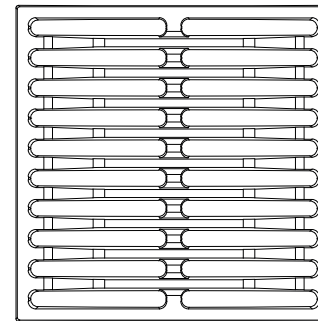
**GRATE MARKINGS
(8 mm x 3 mm RECESSED RAISED)**



SECTION "C - C"



BOTTOM VIEW (FRAME)



BOTTOM VIEW (GRATE)

	Drawn By	Ckd. By	Drg. No.-	Weight:- (tol±3%)
Name	T.S.	A.S.R.	2280 A F&G	SET - 65 kg
Date				GRATE - 33 kg
Sign				FRAME - 32 kg
Coating:-	Drawing Description-			Material-
BLACK BITUMEN	Kourulaattakansisto			C.I. (GG25)
Loading-	D400			TEKTAR
Specification-	EN124-2			
Scale.- NTS	Sheet.- 1 OF 1			
All Dimensions are in mm				